

ACTIVE FILTERS

15

CHAPTER OUTLINE

- 15–1 Basic Filter Responses
 - 15–2 Filter Response Characteristics
 - 15–3 Active Low-Pass Filters
 - 15–4 Active High-Pass Filters
 - 15–5 Active Band-Pass Filters
 - 15–6 Active Band-Stop Filters
 - 15–7 Filter Response Measurements
- Application Activity
Programmable Analog Technology

CHAPTER OBJECTIVES

- ◆ Describe and analyze the gain-versus-frequency responses of basic types of filters
- ◆ Describe three types of filter response characteristics and other parameters
- ◆ Identify and analyze active low-pass filters
- ◆ Identify and analyze active high-pass filters
- ◆ Analyze basic types of active band-pass filters
- ◆ Describe basic types of active band-stop filters
- ◆ Discuss two methods for measuring frequency response

KEY TERMS

- ◆ Filter
- ◆ Low-pass filter
- ◆ Pole
- ◆ Roll-off
- ◆ High-pass filter
- ◆ Band-pass filter
- ◆ Band-stop filter
- ◆ Damping factor

APPLICATION ACTIVITY PREVIEW

RFID stands for Radio Frequency Identification and is a technology that enables the tracking and/or identification of objects. Typically, an RFID system consists of an RF tag containing an IC chip that transmits data about the object, a reader that receives transmitted data from the tag, and a data-processing system that processes and stores the data passed to it by the reader. In this application, you will focus on the RFID reader. RFID systems are used in metering applications such as electronic toll collection, inventory control and tracking, merchandise control, asset tracking and recovery, tracking parts moving through a manufacturing process, and tracking goods in a supply chain.

VISIT THE COMPANION WEBSITE

Study aids and Multisim files for this chapter are available at <http://www.pearsonhighered.com/electronics>

INTRODUCTION

Power supply filters were introduced in Chapter 2. In this chapter, active filters that are used for signal processing are introduced. Filters are circuits that are capable of passing signals with certain selected frequencies while rejecting signals with other frequencies. This property is called *selectivity*.

Active filters use transistors or op-amps combined with passive *RC*, *RL*, or *RLC* circuits. The active devices provide voltage gain, and the passive circuits provide frequency selectivity. In terms of general response, the four basic categories of active filters are low-pass, high-pass, band-pass, and band-stop. In this chapter, you will study active filters using op-amps and *RC* circuits.

15–1 BASIC FILTER RESPONSES

Filters are usually categorized by the manner in which the output voltage varies with the frequency of the input voltage. The categories of active filters are low-pass, high-pass, band-pass, and band-stop. Each of these general responses are examined.

After completing this section, you should be able to

- **Describe and analyze the gain-versus-frequency responses of basic types of filters**
- Describe low-pass filter response
 - ♦ Define *passband* and *critical frequency*
 - ♦ Determine the bandwidth
 - ♦ Define *pole*
 - ♦ Explain roll-off rate and define its unit
 - ♦ Calculate the critical frequency
- Describe high-pass filter response
 - ♦ Explain how the passband is limited
 - ♦ Calculate the critical frequency
- Describe band-pass filter response
 - ♦ Determine the bandwidth
 - ♦ Determine the center frequency
 - ♦ Calculate the quality factor (Q)
- Describe band-stop filter response
 - ♦ Determine the bandwidth

Low-Pass Filter Response

A **filter** is a circuit that passes certain frequencies and attenuates or rejects all other frequencies. The **passband** of a filter is the range of frequencies that are allowed to pass through the filter with minimum attenuation (usually defined as less than -3 dB of attenuation). The **critical frequency**, f_c , (also called the *cutoff frequency*) defines the end of the passband and is normally specified at the point where the response drops -3 dB (70.7%) from the passband response. Following the passband is a region called the *transition region* that leads into a region called the *stopband*. There is no precise point between the transition region and the stopband.

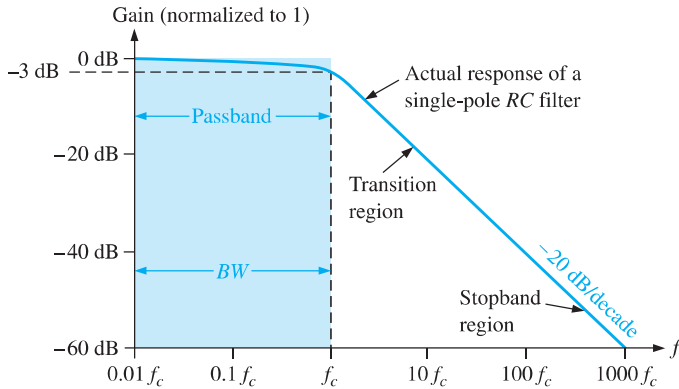
A **low-pass filter** is one that passes frequencies from dc to f_c and significantly attenuates all other frequencies. The passband of the ideal low-pass filter is shown in the blue-shaded area of Figure 15–1(a); the response drops to zero at frequencies beyond the passband. This ideal response is sometimes referred to as a “brick-wall” because nothing gets through beyond the wall. The bandwidth of an ideal low-pass filter is equal to f_c .

Equation 15–1

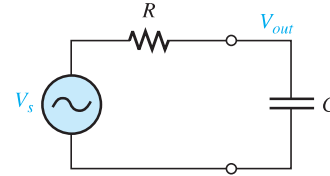
$$BW = f_c$$

The ideal response shown in Figure 15–1(a) is not attainable by any practical filter. Actual filter responses depend on the number of **poles**, a term used with filters to describe the number of RC circuits contained in the filter. The most basic low-pass filter is a simple RC circuit consisting of just one resistor and one capacitor; the output is taken across the capacitor as shown in Figure 15–1(b). This basic RC filter has a single pole, and it rolls off at -20 dB/decade beyond the critical frequency. The actual response is indicated by the blue line in Figure 15–1(a). The response is plotted on a standard log plot that is used for filters to show details of the curve as the gain drops. Notice that the gain drops off slowly until the frequency is at the critical frequency; after this, the gain drops rapidly.

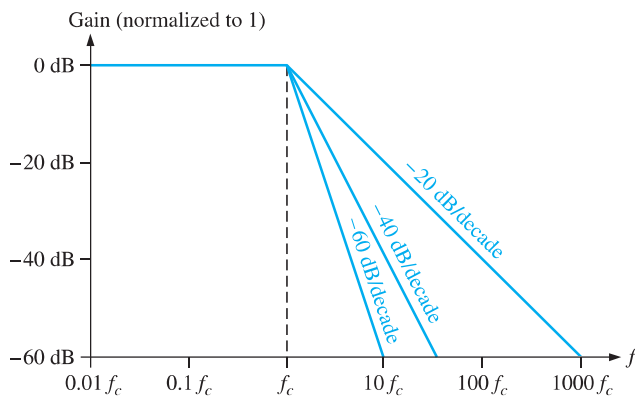
The -20 dB/decade **roll-off** rate for the gain of a basic RC filter means that at a frequency of $10f_c$, the output will be -20 dB (10%) of the input. This roll-off rate is not a particularly good filter characteristic because too much of the unwanted frequencies (beyond the passband) are allowed through the filter.



(a) Comparison of an ideal low-pass filter response (blue area) with actual response. Although not shown on log scale, response extends down to $f_c = 0$.



(b) Basic low-pass circuit



(c) Idealized low-pass filter responses

▲ FIGURE 15-1

Low-pass filter responses.

The critical frequency of a low-pass RC filter occurs when $X_C = R$, where

$$f_c = \frac{1}{2\pi RC}$$

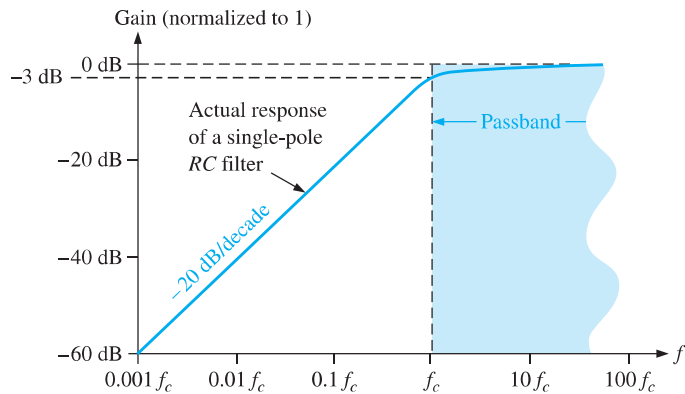
Recall from your basic dc/ac studies that the output at the critical frequency is 70.7% of the input. This response is equivalent to an attenuation of -3 dB.

Figure 15-1(c) illustrates three idealized low-pass response curves including the basic one-pole response (-20 dB/decade). The approximations show a flat response to the cut-off frequency and a roll-off at a constant rate after the cutoff frequency. Actual filters do not have a perfectly flat response up to the cutoff frequency but drop to -3 dB at this point as described previously.

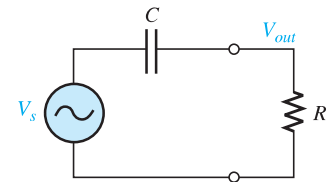
In order to produce a filter that has a steeper transition region (and hence form a more effective filter), it is necessary to add additional circuitry to the basic filter. Responses that are steeper than -20 dB/decade in the transition region cannot be obtained by simply cascading identical RC stages (due to loading effects). However, by combining an op-amp with frequency-selective feedback circuits, filters can be designed with roll-off rates of -40 , -60 , or more dB/decade. Filters that include one or more op-amps in the design are called **active filters**. These filters can optimize the roll-off rate or other attribute (such as phase response) with a particular filter design. In general, the more poles the filter uses, the steeper its transition region will be. The exact response depends on the type of filter and the number of poles.

High-Pass Filter Response

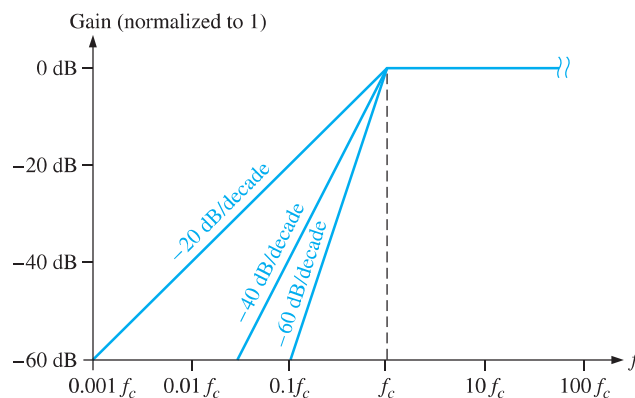
A **high-pass filter** is one that significantly attenuates or rejects all frequencies below f_c and passes all frequencies above f_c . The critical frequency is, again, the frequency at which the output is 70.7% of the input (or -3 dB) as shown in Figure 15–2(a). The ideal response, indicated by the blue-shaded area, has an instantaneous drop at f_c , which, of course, is not achievable. Ideally, the passband of a high-pass filter is all frequencies above the critical frequency. The high-frequency response of practical circuits is limited by the op-amp or other components that make up the filter.



(a) Comparison of an ideal high-pass filter response (blue area) with actual response



(b) Basic high-pass circuit



(c) Idealized high-pass filter responses

▲ FIGURE 15–2

High-pass filter responses.

A simple RC circuit consisting of a single resistor and capacitor can be configured as a high-pass filter by taking the output across the resistor as shown in Figure 15–2(b). As in the case of the low-pass filter, the basic RC circuit has a roll-off rate of -20 dB/decade, as indicated by the blue line in Figure 15–2(a). Also, the critical frequency for the basic high-pass filter occurs when $X_C = R$, where

$$f_c = \frac{1}{2\pi RC}$$

Figure 15–2(c) illustrates three idealized high-pass response curves including the basic one-pole response (-20 dB/decade) for a high-pass RC circuit. As in the case of the low-pass filter, the approximations show a flat response to the cutoff frequency and a roll-off at

a constant rate after the cutoff frequency. Actual high-pass filters do not have the perfectly flat response indicated or the precise roll-off rate shown. Responses that are steeper than -20 dB/decade in the transition region are also possible with active high-pass filters; the particular response depends on the type of filter and the number of poles.

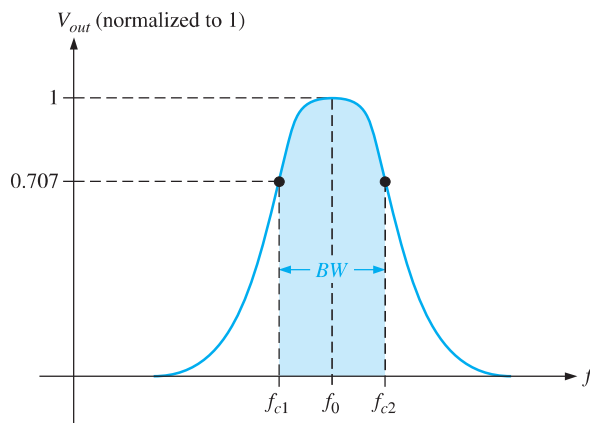
Band-Pass Filter Response

A **band-pass filter** passes all signals lying within a band between a lower-frequency limit and an upper-frequency limit and essentially rejects all other frequencies that are outside this specified band. A generalized band-pass response curve is shown in Figure 15–3. The bandwidth (BW) is defined as the difference between the upper critical frequency (f_{c2}) and the lower critical frequency (f_{c1}).

$$BW = f_{c2} - f_{c1} \quad \text{Equation 15–2}$$

The critical frequencies are, of course, the points at which the response curve is 70.7% of its maximum. Recall from Chapter 12 that these critical frequencies are also called *3 dB frequencies*. The frequency about which the passband is centered is called the *center frequency*, f_0 , defined as the geometric mean of the critical frequencies.

$$f_0 = \sqrt{f_{c1}f_{c2}} \quad \text{Equation 15–3}$$



▲ FIGURE 15–3

General band-pass response curve.

Quality Factor The **quality factor** (Q) of a band-pass filter is the ratio of the center frequency to the bandwidth.

$$Q = \frac{f_0}{BW} \quad \text{Equation 15–4}$$

The value of Q is an indication of the selectivity of a band-pass filter. The higher the value of Q , the narrower the bandwidth and the better the selectivity for a given value of f_0 . Band-pass filters are sometimes classified as narrow-band ($Q > 10$) or wide-band ($Q < 10$). The quality factor (Q) can also be expressed in terms of the damping factor (DF) of the filter as

$$Q = \frac{1}{DF}$$

You will study the damping factor in Section 15–2.

EXAMPLE 15–1

A certain band-pass filter has a center frequency of 15 kHz and a bandwidth of 1 kHz. Determine Q and classify the filter as narrow-band or wide-band.

Solution

$$Q = \frac{f_0}{BW} = \frac{15 \text{ kHz}}{1 \text{ kHz}} = 15$$

Because $Q > 10$, this is a narrow-band filter.

*Related Problem**

If the quality factor of the filter is doubled, what will the bandwidth be?

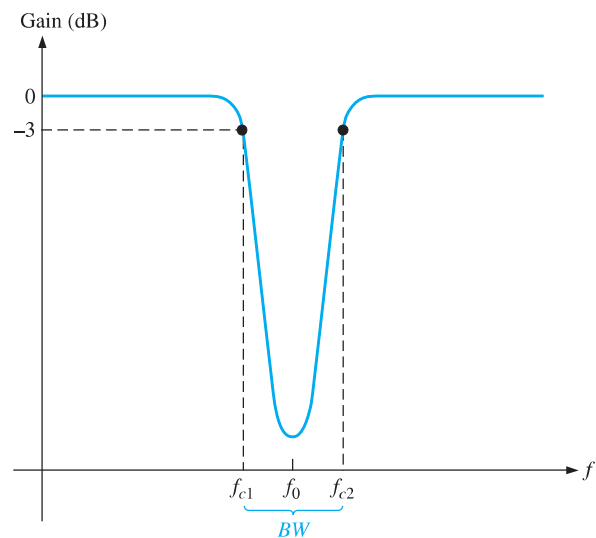
*Answers can be found at www.pearsonhighered.com/floyd.

Band-Stop Filter Response

Another category of active filter is the **band-stop filter**, also known as *notch*, *band-reject*, or *band-elimination* filter. You can think of the operation as opposite to that of the band-pass filter because frequencies within a certain bandwidth are rejected, and frequencies outside the bandwidth are passed. A general response curve for a band-stop filter is shown in Figure 15–4. Notice that the bandwidth is the band of frequencies between the 3 dB points, just as in the case of the band-pass filter response.

► **FIGURE 15–4**

General band-stop filter response.

**SECTION 15–1
CHECKUP**

Answers can be found at www.pearsonhighered.com/floyd.

1. What determines the bandwidth of a low-pass filter?
2. What limits the passband of an active high-pass filter?
3. How are the Q and the bandwidth of a band-pass filter related? Explain how the selectivity is affected by the Q of a filter.

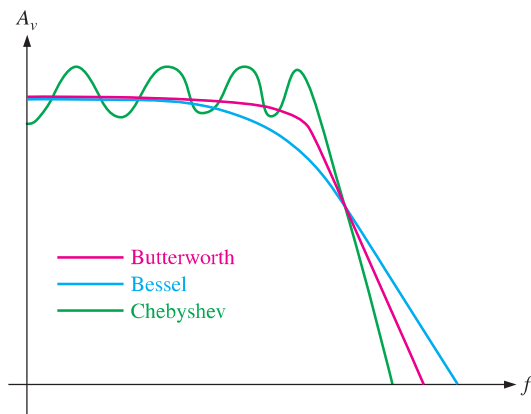
15–2 FILTER RESPONSE CHARACTERISTICS

Each type of filter response (low-pass, high-pass, band-pass, or band-stop) can be tailored by circuit component values to have either a Butterworth, Chebyshev, or Bessel characteristic. Each of these characteristics is identified by the shape of the response curve, and each has an advantage in certain applications.

After completing this section, you should be able to

- ❑ Describe three types of filter response characteristics and other parameters
- ❑ Discuss the Butterworth characteristic
- ❑ Describe the Chebyshev characteristic
- ❑ Discuss the Bessel characteristic
- ❑ Define *damping factor*
 - ♦ Calculate the damping factor
 - ♦ Show the block diagram of an active filter
- ❑ Analyze a filter for critical frequency and roll-off rate
 - ♦ Explain how to obtain multi-order filters
 - ♦ Describe the effects of cascading on roll-off rate

Butterworth, Chebyshev, or Bessel response characteristics can be realized with most active filter circuit configurations by proper selection of certain component values. A general comparison of the three response characteristics for a low-pass filter response curve is shown in Figure 15–5. High-pass and band-pass filters can also be designed to have any one of the characteristics.



◀ FIGURE 15–5

Comparative plots of three types of filter response characteristics.

The Butterworth Characteristic The **Butterworth** characteristic provides a very flat amplitude response in the passband and a roll-off rate of -20 dB/decade/pole. The phase response is not linear, however, and the phase shift (thus, time delay) of signals passing through the filter varies nonlinearly with frequency. Therefore, a pulse applied to a filter with a Butterworth response will cause overshoots on the output because each frequency component of the pulse's rising and falling edges experiences a different time delay. Filters with the Butterworth response are normally used when all frequencies in the passband must have the same gain. The Butterworth response is often referred to as a maximally flat response.

The Chebyshev Characteristic Filters with the **Chebyshev** response characteristic are useful when a rapid roll-off is required because it provides a roll-off rate greater than -20 dB/decade/pole. This is a greater rate than that of the Butterworth, so filters can be implemented with the Chebyshev response with fewer poles and less complex circuitry for a given roll-off rate. This type of filter response is characterized by overshoot or ripples in the passband (depending on the number of poles) and an even less linear phase response than the Butterworth.

The Bessel Characteristic The **Bessel** response exhibits a linear phase characteristic, meaning that the phase shift increases linearly with frequency. The result is almost no overshoot on the output with a pulse input. For this reason, filters with the Bessel response are used for filtering pulse waveforms without distorting the shape of the waveform.

The Damping Factor

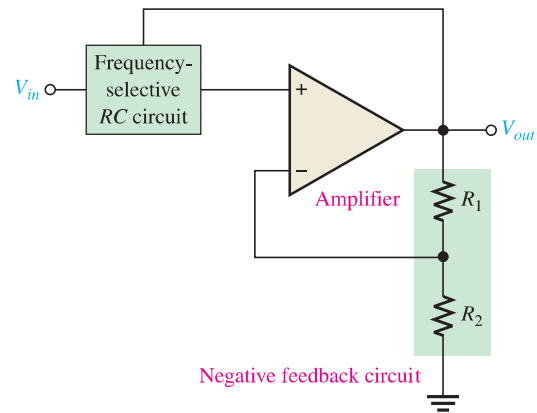
As mentioned, an active filter can be designed to have either a Butterworth, Chebyshev, or Bessel response characteristic regardless of whether it is a low-pass, high-pass, band-pass, or band-stop type. The **damping factor (DF)** of an active filter circuit determines which response characteristic the filter exhibits. To explain the basic concept, a generalized active filter is shown in Figure 15–6. It includes an amplifier, a negative feedback circuit, and a filter section. The amplifier and feedback are connected in a noninverting configuration. The damping factor is determined by the negative feedback circuit and is defined by the following equation:

Equation 15–5

$$DF = 2 - \frac{R_1}{R_2}$$

► FIGURE 15–6

General diagram of an active filter.



Basically, the damping factor affects the filter response by negative feedback action. Any attempted increase or decrease in the output voltage is offset by the opposing effect of the negative feedback. This tends to make the response curve flat in the passband of the filter if the value for the damping factor is precisely set. By advanced mathematics, which we will not cover, values for the damping factor have been derived for various orders of filters to achieve the maximally flat response of the Butterworth characteristic.

The value of the damping factor required to produce a desired response characteristic depends on the **order** (number of poles) of the filter. A *pole*, for our purposes, is simply a circuit with one resistor and one capacitor. The more poles a filter has, the faster its roll-off rate is. To achieve a second-order Butterworth response, for example, the damping factor must be 1.414. To implement this damping factor, the feedback resistor ratio must be

$$\frac{R_1}{R_2} = 2 - DF = 2 - 1.414 = 0.586$$

This ratio gives the closed-loop gain of the noninverting amplifier portion of the filter, $A_{cl(NI)}$, a value of 1.586, derived as follows:

$$A_{cl(NI)} = \frac{1}{B} = \frac{1}{R_2/(R_1 + R_2)} = \frac{R_1 + R_2}{R_2} = \frac{R_1}{R_2} + 1 = 0.586 + 1 = 1.586$$

EXAMPLE 15–2

If resistor R_2 in the feedback circuit of an active single-pole filter of the type in Figure 15–6 is $10\text{ k}\Omega$, what value must R_1 be to obtain a maximally flat Butterworth response?

Solution

$$\frac{R_1}{R_2} = 0.586$$

$$R_1 = 0.586R_2 = 0.586(10\text{ k}\Omega) = \mathbf{5.86\text{ k}\Omega}$$

Using the nearest standard 5 percent value of $5.6\text{ k}\Omega$ will get very close to the ideal Butterworth response.

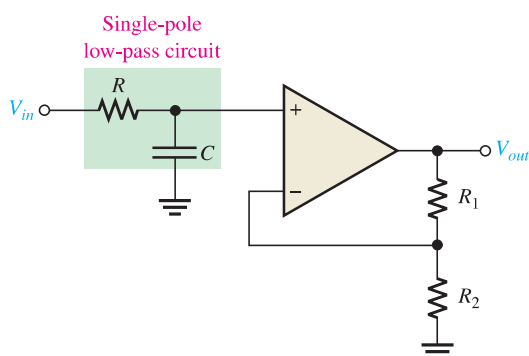
Related Problem What is the damping factor for $R_2 = 10\text{ k}\Omega$ and $R_1 = 5.6\text{ k}\Omega$?

Critical Frequency and Roll-Off Rate

The critical frequency is determined by the values of the resistors and capacitors in the frequency-selective RC circuit shown in Figure 15–6. For a single-pole (first-order) filter, as shown in Figure 15–7, the critical frequency is

$$f_c = \frac{1}{2\pi RC}$$

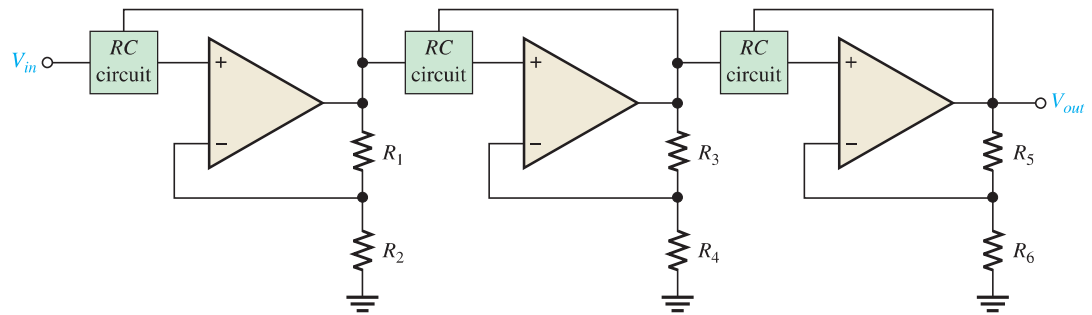
Although we show a low-pass configuration, the same formula is used for the f_c of a single-pole high-pass filter. The number of poles determines the roll-off rate of the filter. A Butterworth response produces $-20\text{ dB/decade/pole}$. So, a first-order (one-pole) filter has a roll-off of -20 dB/decade ; a second-order (two-pole) filter has a roll-off rate of -40 dB/decade ; a third-order (three-pole) filter has a roll-off rate of -60 dB/decade ; and so on.



◀ **FIGURE 15–7**
First-order (one-pole) low-pass filter.

Generally, to obtain a filter with three poles or more, one-pole or two-pole filters are cascaded, as shown in Figure 15–8. To obtain a third-order filter, for example, cascade a second-order and a first-order filter; to obtain a fourth-order filter, cascade two second-order filters; and so on. Each filter in a cascaded arrangement is called a *stage* or *section*.

Because of its maximally flat response, the Butterworth characteristic is the most widely used. Therefore, we will limit our coverage to the Butterworth response to illustrate basic filter concepts. Table 15–1 lists the roll-off rates, damping factors, and feedback resistor ratios for up to sixth-order Butterworth filters. Resistor designations correspond to the gain-setting resistors in Figure 15–8 and may be different on other circuit diagrams.



▲ FIGURE 15-8

The number of filter poles can be increased by cascading.

▼ TABLE 15-1

Values for the Butterworth response.

ORDER	ROLL-OFF DB/DECADE	1ST STAGE			2ND STAGE			3RD STAGE		
		POLES	DF	R_1/R_2	POLES	DF	R_3/R_4	POLES	DF	R_5/R_6
1	-20	1	Optional							
2	-40	2	1.414	0.586						
3	-60	2	1.00	1	1	1.00	1			
4	-80	2	1.848	0.152	2	0.765	1.235			
5	-100	2	1.00	1	2	1.618	0.382	1	0.618	1.382
6	-120	2	1.932	0.068	2	1.414	0.586	2	0.518	1.482

SECTION 15-2 CHECKUP

1. Explain how Butterworth, Chebyshev, and Bessel responses differ.
2. What determines the response characteristic of a filter?
3. Name the basic parts of an active filter.

15-3 ACTIVE LOW-PASS FILTERS

Filters that use op-amps as the active element provide several advantages over passive filters (R , L , and C elements only). The op-amp provides gain, so the signal is not attenuated as it passes through the filter. The high input impedance of the op-amp prevents excessive loading of the driving source, and the low output impedance of the op-amp prevents the filter from being affected by the load that it is driving. Active filters are also easy to adjust over a wide frequency range without altering the desired response.

After completing this section, you should be able to

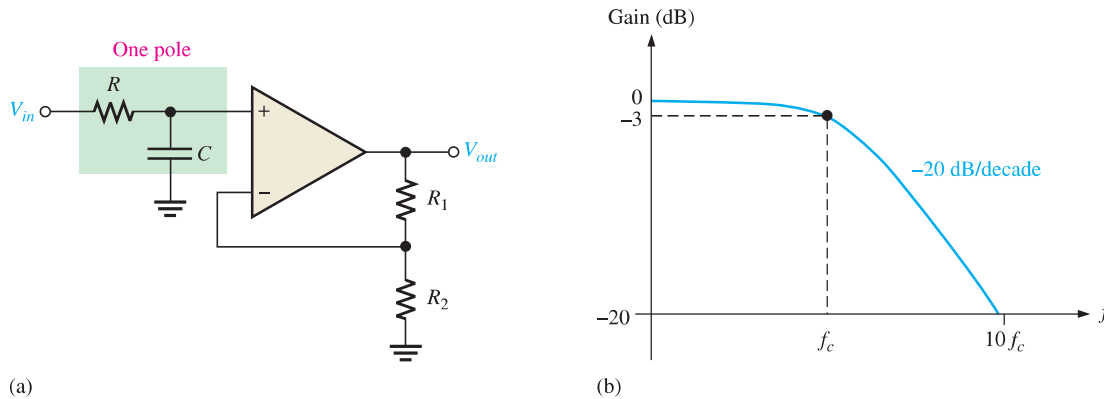
- **Identify and analyze active low-pass filters**
- Identify a single-pole low-pass filter circuit
 - ♦ Determine the closed-loop voltage gain
 - ♦ Determine the critical frequency
- Identify a Sallen-Key low-pass filter circuit
 - ♦ Describe the filter operation
 - ♦ Calculate the critical frequency
- Analyze cascaded low-pass filters
 - ♦ Explain how the roll-off rate is affected

A Single-Pole Filter

Figure 15–9(a) shows an active filter with a single low-pass RC frequency-selective circuit that provides a roll-off of -20 dB/decade above the critical frequency, as indicated by the response curve in Figure 15–9(b). The critical frequency of the single-pole filter is $f_c = 1/(2\pi RC)$. The op-amp in this filter is connected as a noninverting amplifier with the closed-loop voltage gain in the passband set by the values of R_1 and R_2 .

$$A_{cl(NI)} = \frac{R_1}{R_2} + 1$$

Equation 15–6



▲ FIGURE 15–9

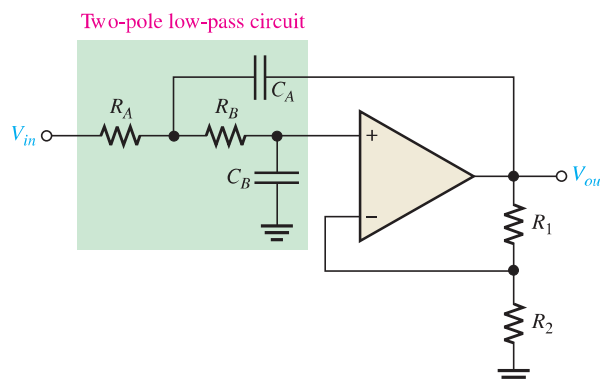
Single-pole active low-pass filter and response curve.

The Sallen-Key Low-Pass Filter

The Sallen-Key is one of the most common configurations for a second-order (two-pole) filter. It is also known as a VCVS (voltage-controlled voltage source) filter. A low-pass version of the Sallen-Key filter is shown in Figure 15–10. Notice that there are two low-pass RC circuits that provide a roll-off of -40 dB/decade above the critical frequency (assuming a Butterworth characteristic). One RC circuit consists of R_A and C_A , and the second circuit consists of R_B and C_B . A unique feature of the Sallen-Key low-pass filter is the capacitor C_A that provides feedback for shaping the response near the edge of the passband. The critical frequency for the Sallen-Key filter is

$$f_c = \frac{1}{2\pi \sqrt{R_A R_B C_A C_B}}$$

Equation 15–7



◀ FIGURE 15–10

Basic Sallen-Key low-pass filter.

The component values can be made equal so that $R_A = R_B = R$ and $C_A = C_B = C$. In this case, the expression for the critical frequency simplifies to

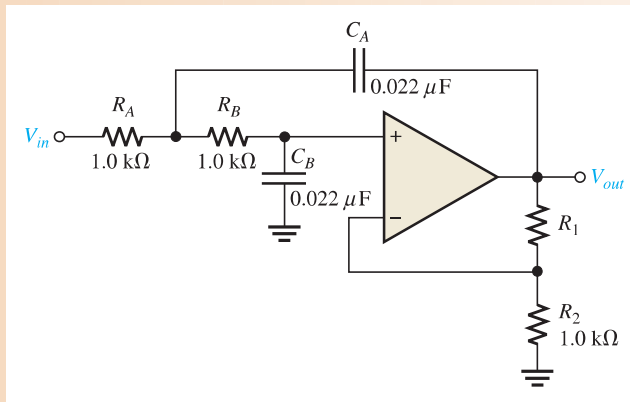
$$f_c = \frac{1}{2\pi RC}$$

As in the single-pole filter, the op-amp in the second-order Sallen-Key filter acts as a noninverting amplifier with the negative feedback provided by resistors R_1 and R_2 . As you have learned, the damping factor is set by the values of R_1 and R_2 , thus making the filter response either Butterworth, Chebyshev, or Bessel. For example, from Table 15–1, the R_1/R_2 ratio must be 0.586 to produce the damping factor of 1.414 required for a second-order Butterworth response.

EXAMPLE 15–3

Determine the critical frequency of the Sallen-Key low-pass filter in Figure 15–11, and set the value of R_1 for an approximate Butterworth response.

► FIGURE 15–11



Solution Since $R_A = R_B = R = 1.0 \text{ k}\Omega$ and $C_A = C_B = C = 0.022 \text{ }\mu\text{F}$,

$$f_c = \frac{1}{2\pi RC} = \frac{1}{2\pi(1.0 \text{ k}\Omega)(0.022 \text{ }\mu\text{F})} = 7.23 \text{ kHz}$$

For a Butterworth response, $R_1/R_2 = 0.586$.

$$R_1 = 0.586R_2 = 0.586(1.0 \text{ k}\Omega) = 586 \text{ }\Omega$$

Select a standard value as near as possible to this calculated value.

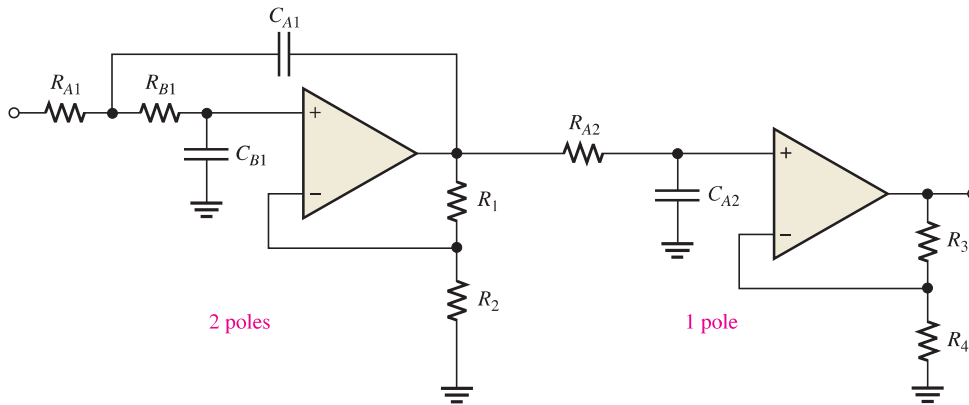
Related Problem Determine f_c for Figure 15–11 if $R_A = R_B = R_2 = 2.2 \text{ k}\Omega$ and $C_A = C_B = 0.01 \text{ }\mu\text{F}$. Also determine the value of R_1 for a Butterworth response.



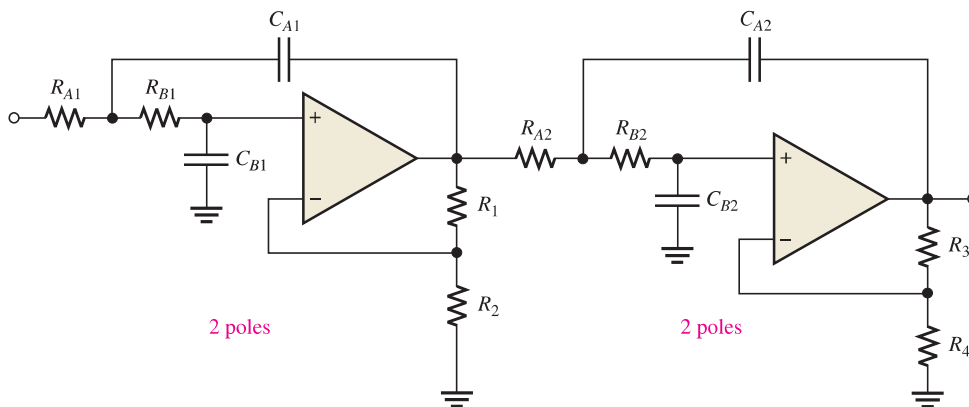
Open the Multisim file E15-03 in the Examples folder on the companion website. Determine the critical frequency and compare with the calculated value.

Cascaded Low-Pass Filters

A three-pole filter is required to get a third-order low-pass response (-60 dB/decade). This is done by cascading a two-pole Sallen-Key low-pass filter and a single-pole low-pass filter, as shown in Figure 15–12(a). Figure 15–12(b) shows a four-pole configuration obtained by cascading two Sallen-Key (2-pole) low-pass filters. In general, a four-pole filter is preferred because it uses the same number of op-amps to achieve a faster roll-off.



(a) Third-order configuration



(b) Fourth-order configuration

◀ **FIGURE 15–12**
Cascaded low-pass filters.

EXAMPLE 15–4

For the four-pole filter in Figure 15–12(b), determine the capacitance values required to produce a critical frequency of 2680 Hz if all the resistors in the RC low-pass circuits are $1.8\text{ k}\Omega$. Also select values for the feedback resistors to get a Butterworth response.

Solution Both stages must have the same f_c . Assuming equal-value capacitors,

$$f_c = \frac{1}{2\pi RC}$$

$$C = \frac{1}{2\pi R f_c} = \frac{1}{2\pi(1.8\text{ k}\Omega)(2680\text{ Hz})} = 0.033\ \mu\text{F}$$

$$C_{A1} = C_{B1} = C_{A2} = C_{B2} = \mathbf{0.033\ \mu\text{F}}$$

Also select $R_2 = R_4 = 1.8\text{ k}\Omega$ for simplicity. Refer to Table 15–1. For a Butterworth response in the first stage, $DF = 1.848$ and $R_1/R_2 = 0.152$. Therefore,

$$R_1 = 0.152R_2 = 0.152(1800\ \Omega) = \mathbf{274\ \Omega}$$

Choose $R_1 = 270\ \Omega$.

In the second stage, $DF = 0.765$ and $R_3/R_4 = 1.235$. Therefore,

$$R_3 = 1.235R_4 = 1.235(1800\ \Omega) = \mathbf{2.22\text{ k}\Omega}$$

Choose $R_3 = 2.2\text{ k}\Omega$.

Related Problem

For the filter in Figure 15–12(b), determine the capacitance values for $f_c = 1\text{ kHz}$ if all the filter resistors are $680\ \Omega$. Also specify the values for the feedback resistors to produce a Butterworth response.

SECTION 15-3
CHECKUP

1. How many poles does a second-order low-pass filter have? How many resistors and how many capacitors are used in the frequency-selective circuit?
2. Why is the damping factor of a filter important?
3. What is the primary purpose of cascading low-pass filters?

15-4 ACTIVE HIGH-PASS FILTERS

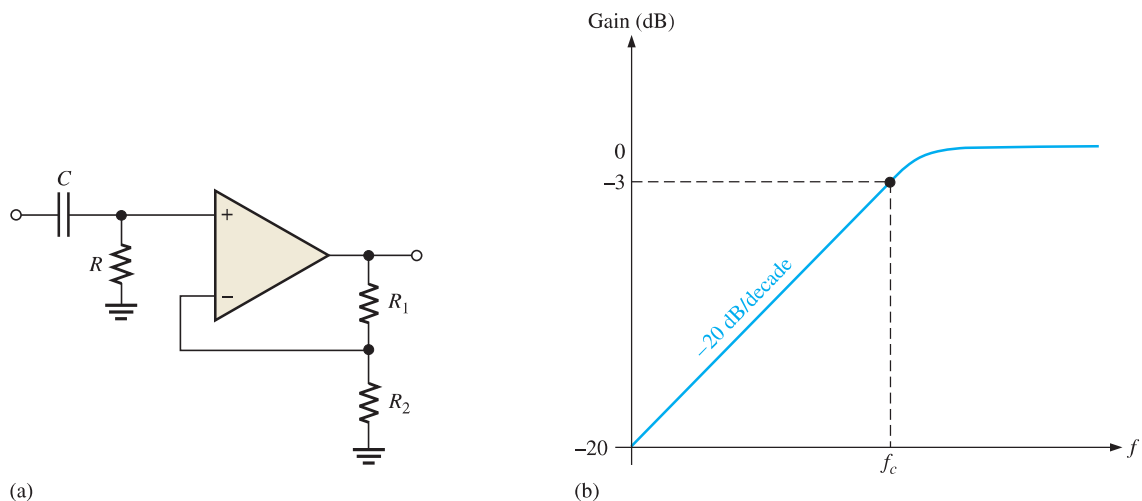
In high-pass filters, the roles of the capacitor and resistor are reversed in the RC circuits. Otherwise, the basic parameters are the same as for the low-pass filters.

After completing this section, you should be able to

- **Identify and analyze active high-pass filters**
- Identify a single-pole high-pass filter circuit
 - ♦ Explain limitations at higher pass-band frequencies
- Identify a Sallen-Key high-pass filter circuit
 - ♦ Describe the filter operation
 - ♦ Calculate component values
- Discuss cascaded high-pass filters
 - ♦ Describe a six-pole filter

A Single-Pole Filter

A high-pass active filter with a -20 dB/decade roll-off is shown in Figure 15-13(a). Notice that the input circuit is a single high-pass RC circuit. The negative feedback circuit is the same as for the low-pass filters previously discussed. The high-pass response curve is shown in Figure 15-13(b).



▲ FIGURE 15-13

Single-pole active high-pass filter and response curve.

Ideally, a high-pass filter passes all frequencies above f_c without limit, as indicated in Figure 15-14(a), although in practice, this is not the case. As you have learned, all op-amps inherently have internal RC circuits that limit the amplifier's response at high frequencies.