

# Building Estimation Methods

Engr. Shehroze Ali

9/8/2016

1

## TABLE OF CONTENTS

### ❖ One Room Building

- Concrete work in foundation (Center line and separate wall method)
- Brickwork in footing (Center line and separate wall method)
- Brickwork in walls (Center line and separate wall method)

### ❖ Two Rooms Building

- Concrete work in foundation (Center line and separate wall method)

9/8/2016

ENGR. SHEHROZE ALI

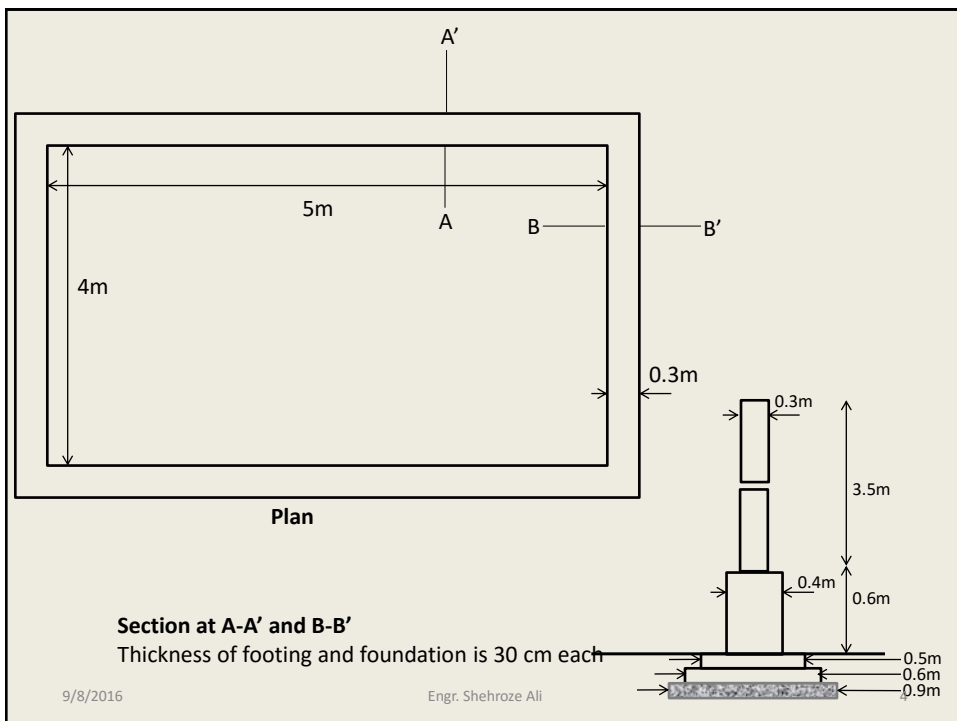
2

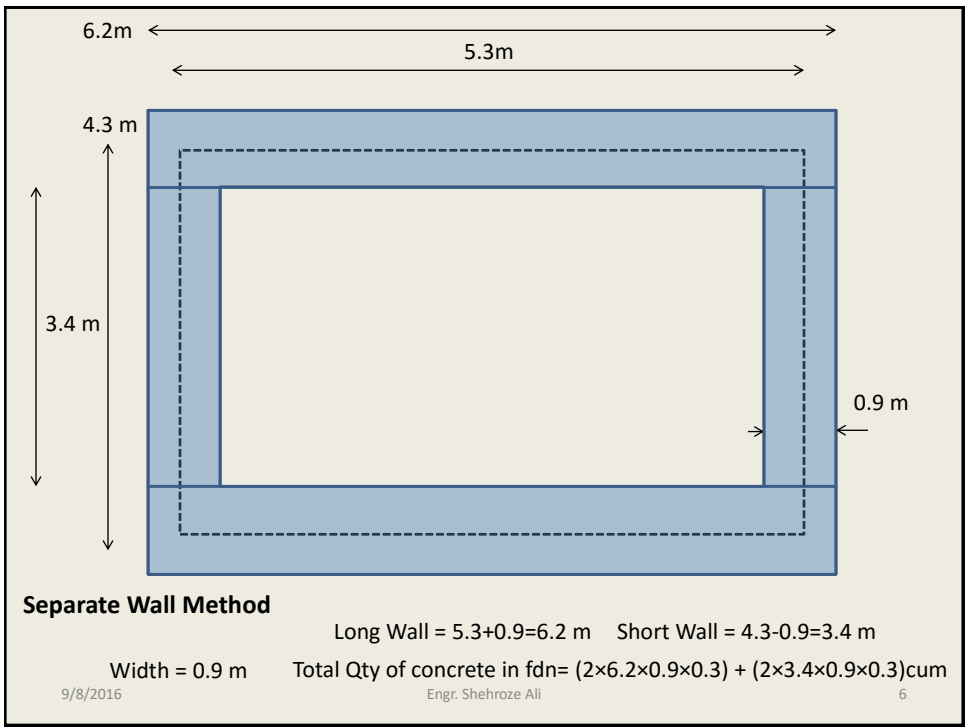
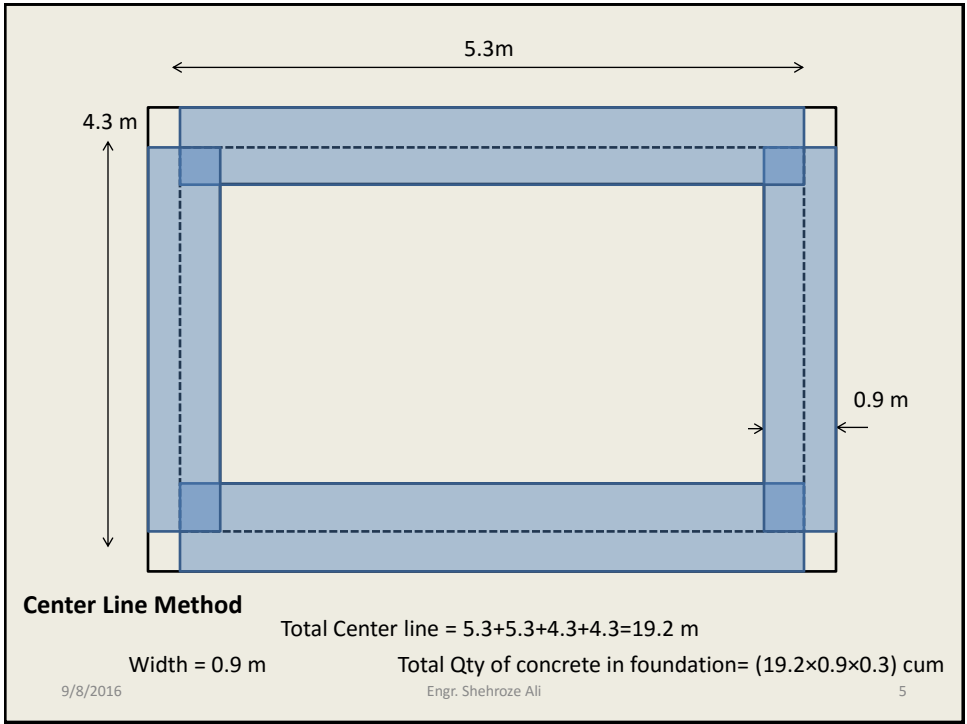
# One Room Building

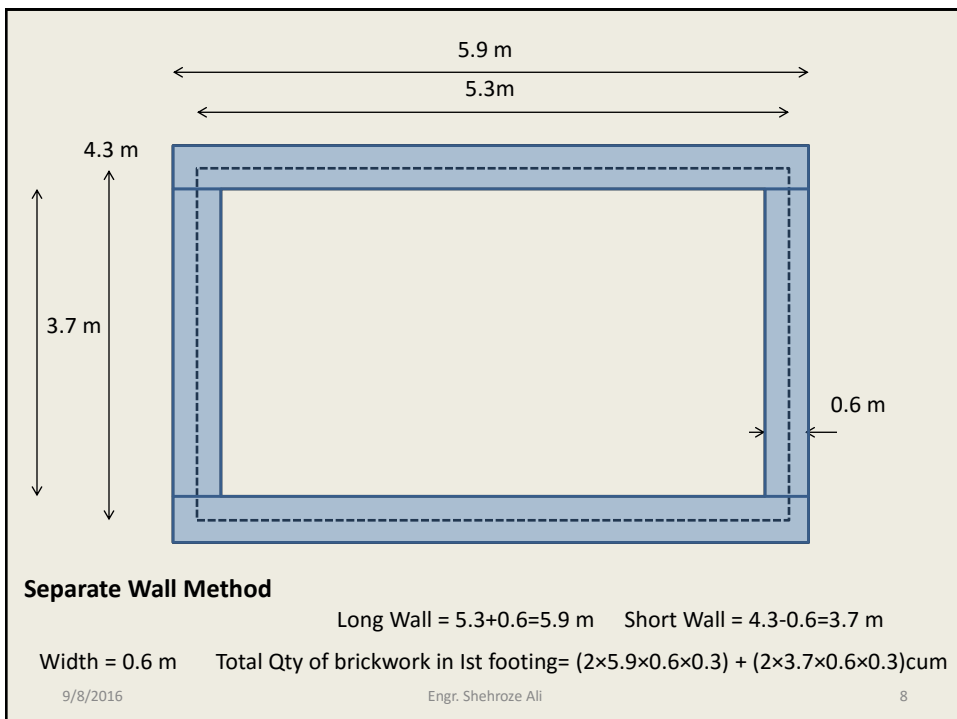
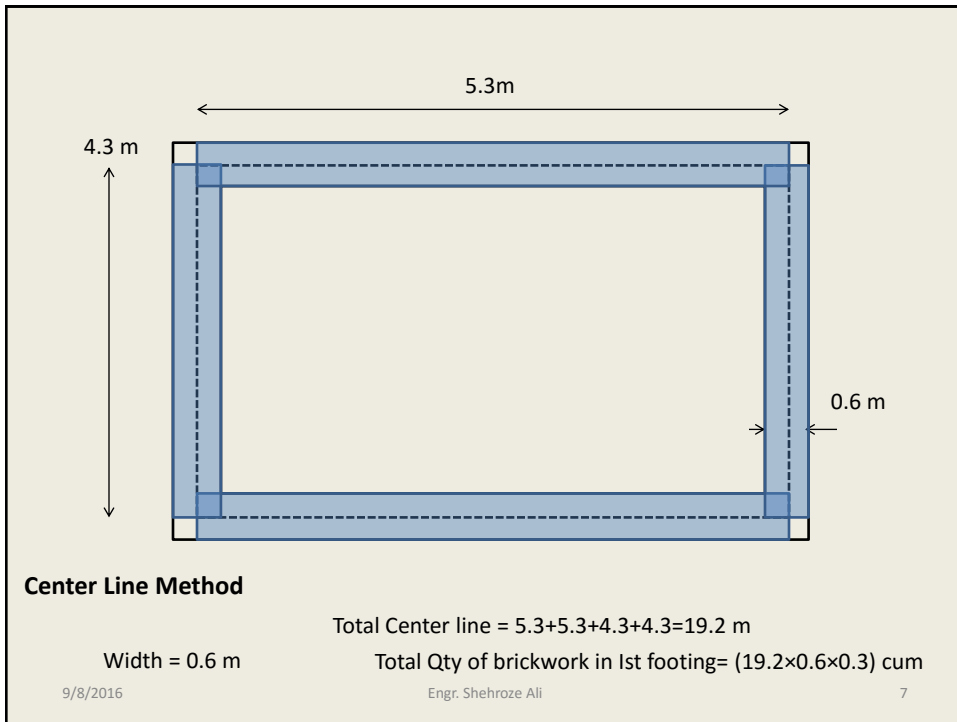
9/8/2016

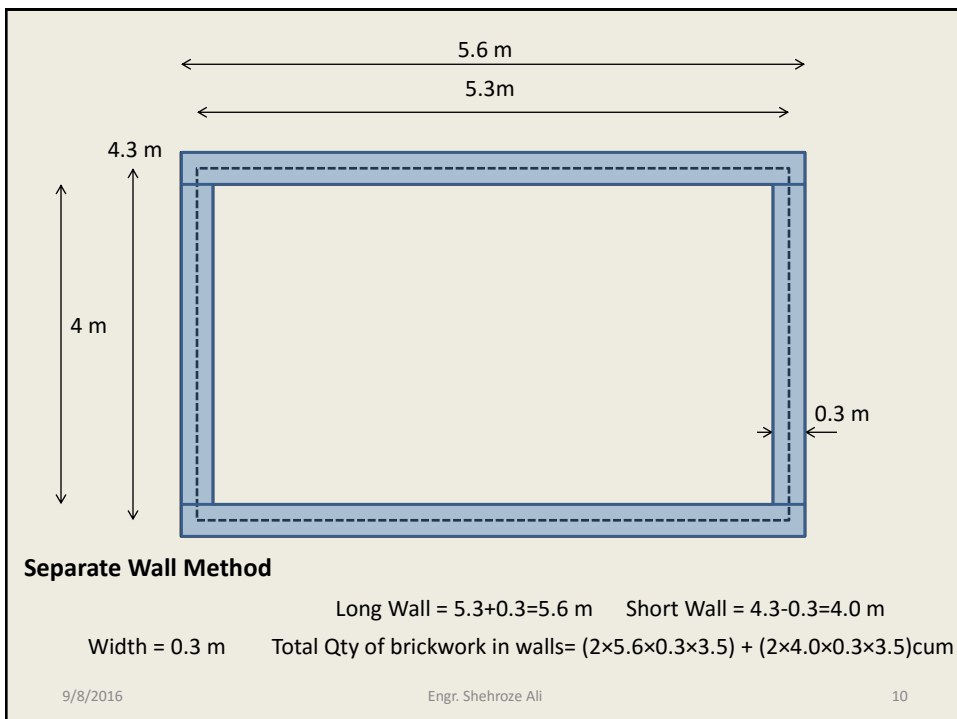
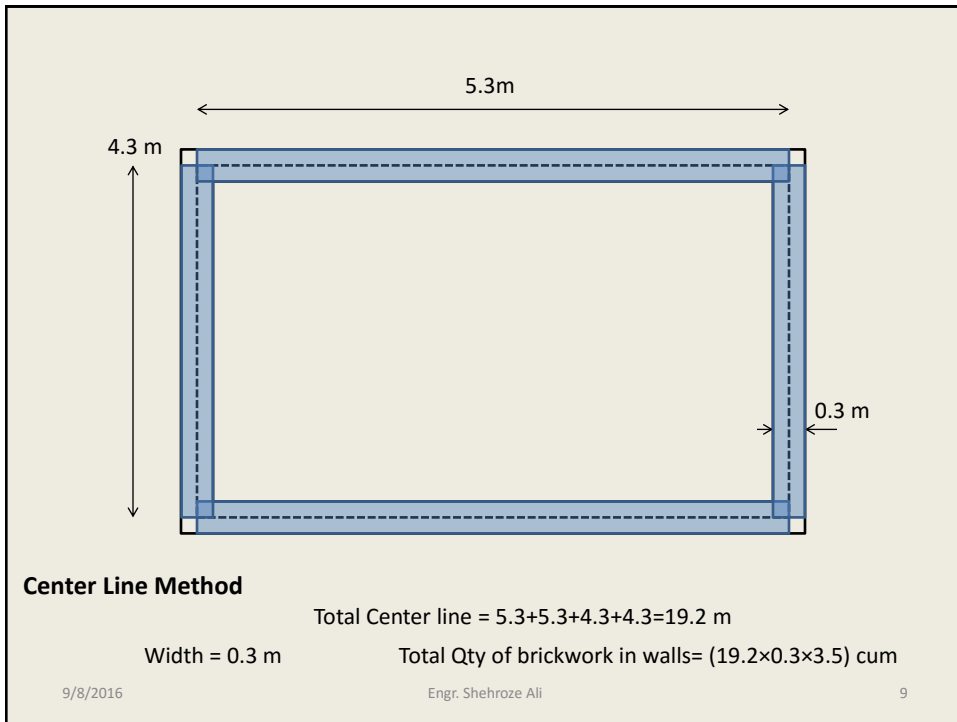
Engr. Shehroze Ali

3







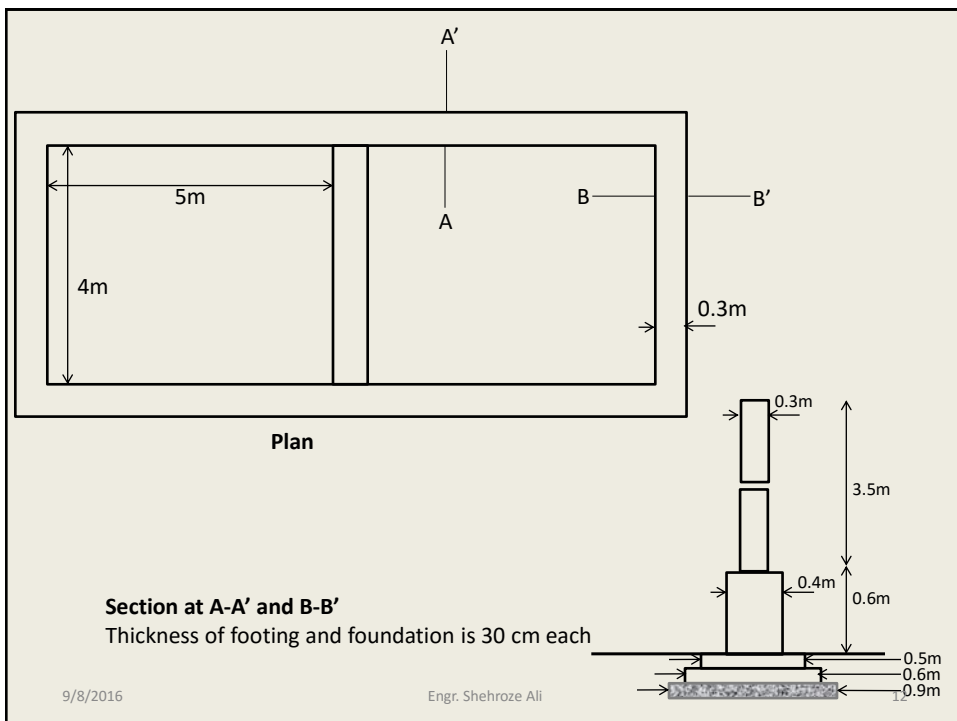


# Two Rooms Building

9/8/2016

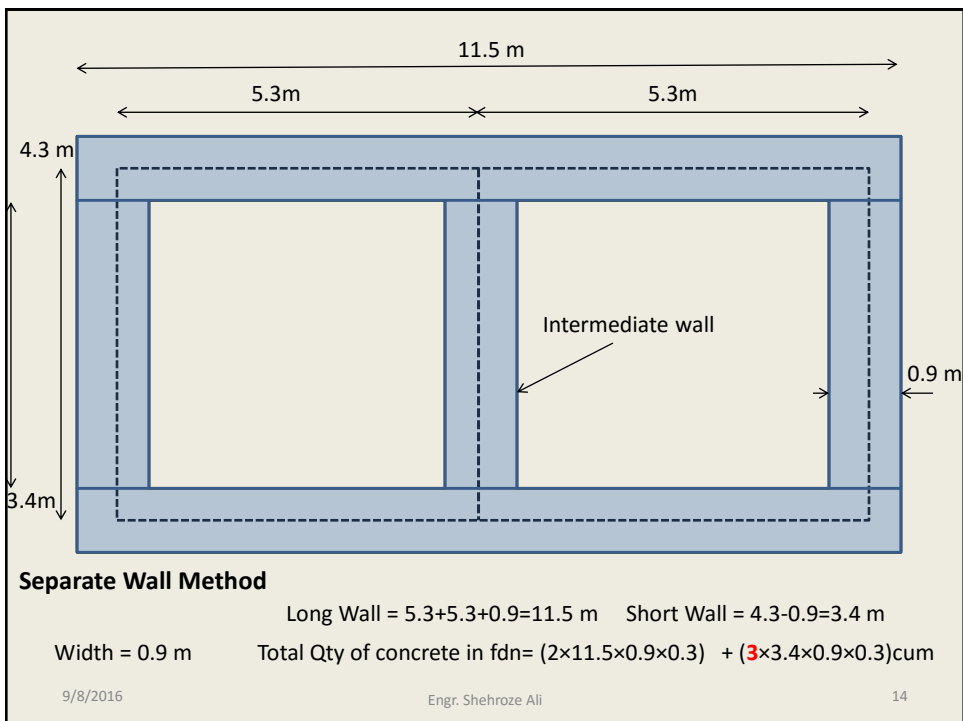
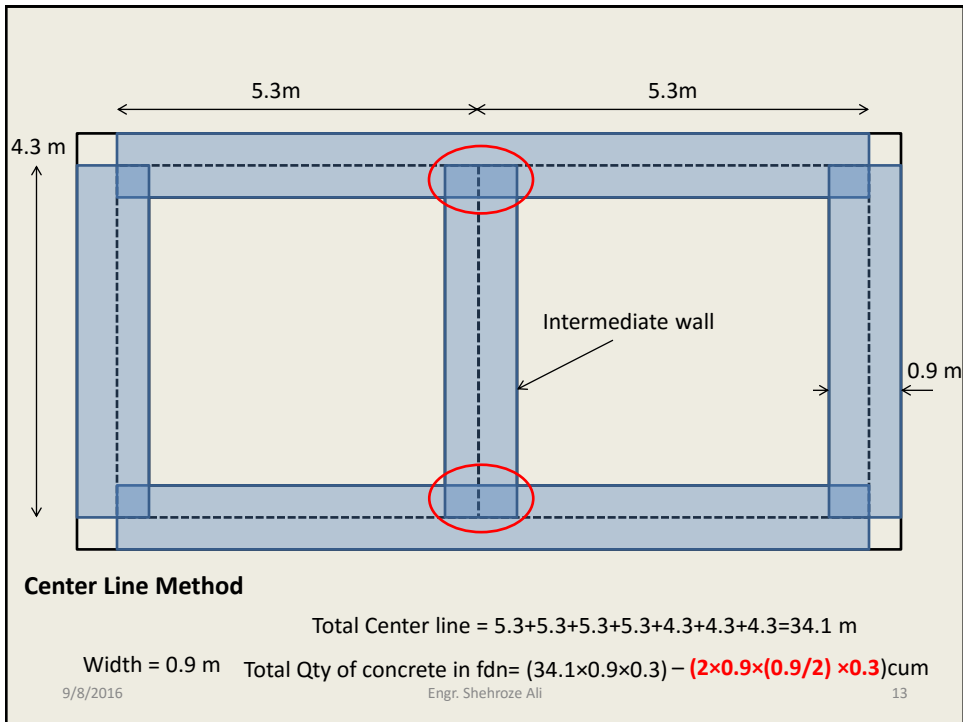
Engr. Shehroze Ali

11



9/8/2016

Engr. Shehroze Ali



THANK YOU

Any Questions?



9/8/2016

ENGR. SHEHROZE ALI

15